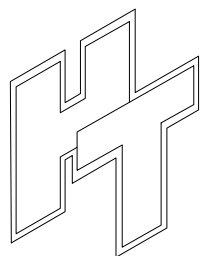
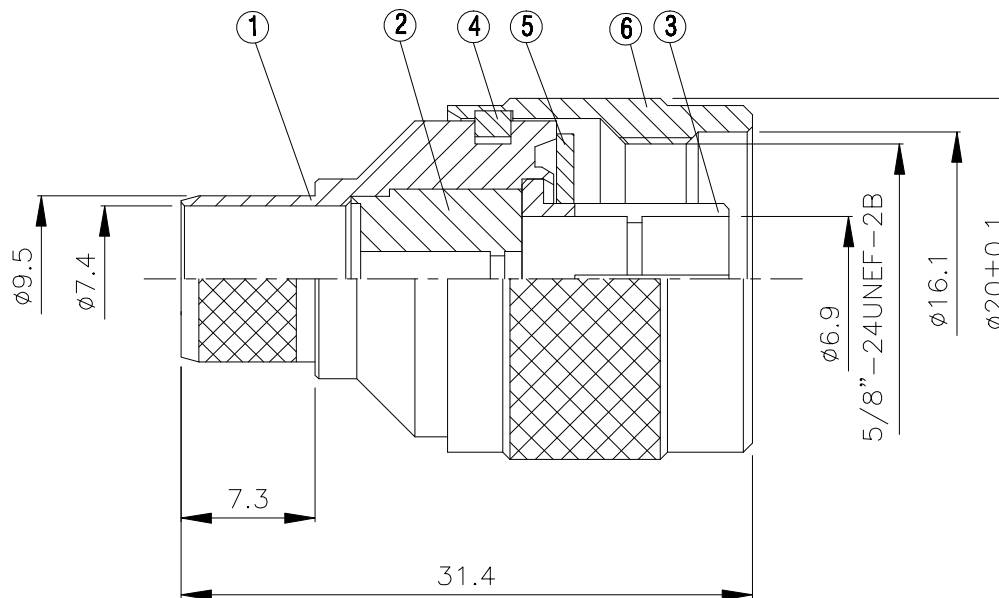
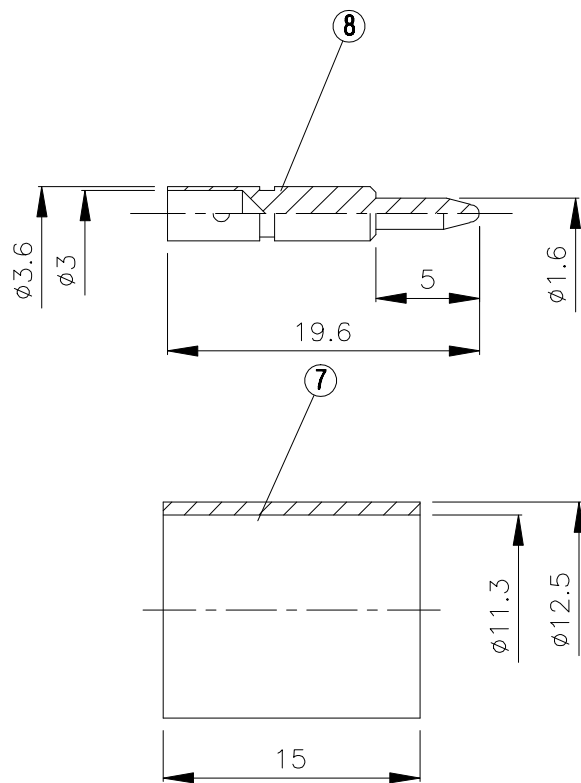
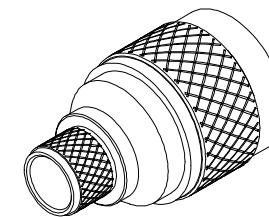
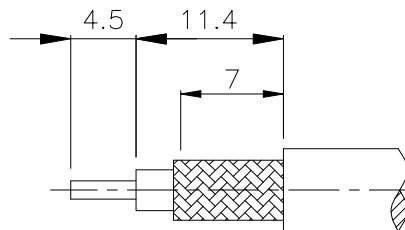


NO	DESCRIPTION	MATERIAL	Q'TY	FINISH	REMARK
1	BODY 1	BRASS	1	NICKEL	B-N0047-N
2	INSULATION	TEFLON	1	TEFLON	I-0064T
3	BODY 2	BRASS	1	NICKEL	B-N0033-N
4	WARSHER	PH.BRONZE	1	NICKEL	W-0014
5	GASKET	SI RUBBER	1	RUBBER	RU-0007
6	BODY 2	BRASS	1	NICKEL	B-N0032-N
7	RING	BRASS	1	NICKEL	R-0010-N
8	PIN	BRASS	1	GOLD	P-N1309-G



HUS-TSAN GROUP CO., LTD.

P.O. BOX 40-76. TAINAN. TAIWAN, R.O.C.

TITLE N MALE CRIMP FOR
RF 400 UF

PART NO. N-03SS-TGN

DRAWING NO. N-03SS-TGN

DRAWN 林孟翰 DATE 105.03.30

CHECKED 林孟翰 DATE 105.03.30

Q.A. 莊千慧 DATE

APPROVAL 徐燦霖 DATE

REVISION DATE

DIMENSIONS ARE IN MILLIMETERS

UNLESS OTHERWISE SPECIFIED
TOLERANCE

0.5-5 = ± 0.2 120-315 = ± 1

5-30 = ± 0.4 315-1000 = ± 1.6

30-120 = ± 0.6 1000-2000 = ± 2.4

SCALE 4:1 SIZE A

REVISION

DESCRIPTION ENGINEER